



CATALOGUE 2024

EXCAVATOR AND CRANE ATTACHMENTS



PRECISION



QUALITY



FLEXIBILITY

ENGLISH

OUR HISTORY

PRODUCTION

FOUNDING
I.C.M. - International Construction Machinery - is established with headquarters in Alfonsine (Italy).



1984

1988



BACKHOES
I.C.M. begins to sell industrial backhoes which go on to become a best seller.

SELF-PROPELLED EXCAVATOR
The first I.C.M.-branded self-propelled excavator is designed and manufactured.



1992

2008



START OF PRODUCTION
I.C.M. relocates in Ravenna, Italy, and begins the production of one of the world's widest ranges of accessories for cranes and excavators.

FIRST TIME AT BAUMA
I.C.M. takes part for the first time as exhibitor to one of the world's leading trade exhibitions, BAUMA in Munich, Germany.



2016

2017

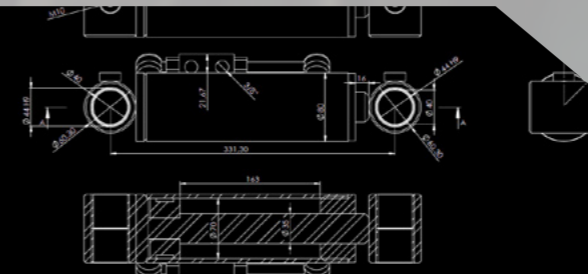


FELLING GRAPPLE
I.C.M. presents its first felling grapple, which quickly becomes one of the top products in the range.

NEW HEADQUARTERS
I.C.M. moves to the new headquarters in Ravenna, Italy, almost 4 times larger than the previous one.



2018

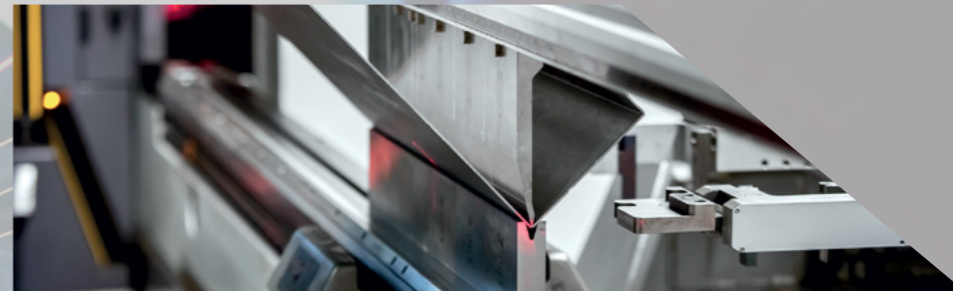


1. DESIGN

2. LASER CUTTING



3. BENDING



4. WELDING

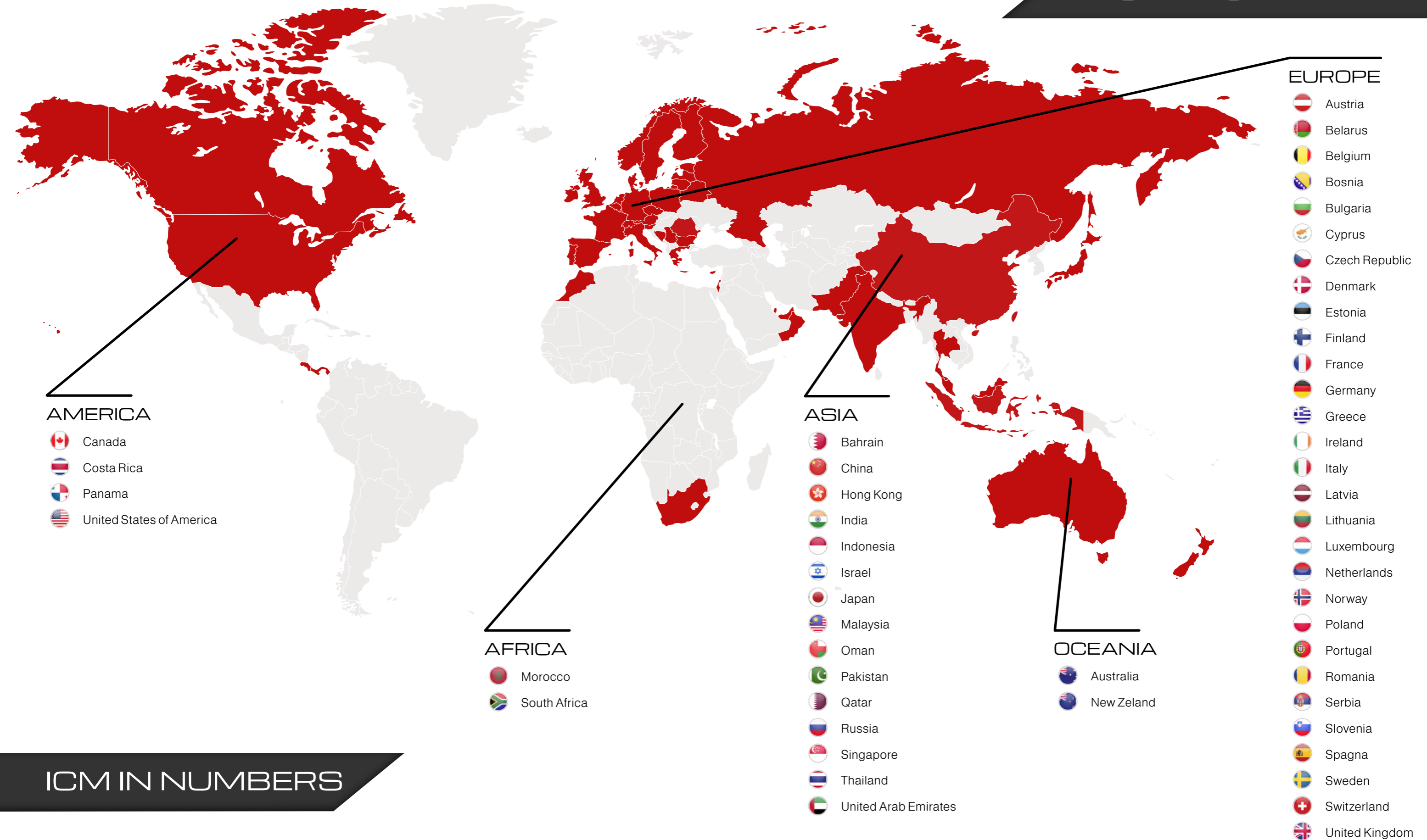


5. PAINTING



6. ASSEMBLY





ICM IN NUMBERS

52 The countries we export to

150 Products in the range

40 Years of activity

15.000 Products sold each year



UWM

INDEX

SORTING GRABS SG	8
CLAMSHELL BUCKETS CLA	10
HEAVY DUTY CLAMSHELL BUCKETS CLA	12
FELLING GRAB GRA-F	14
FELLING GRAB - RIGID INSTALLATION FMS	16
PRUNING SHEAR GRA-B	18
TREE SHEAR GRA-C	20
LOG GRABS BASIC • GRA	22
SAW GRABS MS KIT	24
LOG GRABS - RIGID INSTALLATION GRA	26
SAW GRABS - RIGID INSTALLATION MS KIT	28
MULCHER MUL	30
POLYP GRABS PLY	32
POLYP GRABS FOR Z-CRANES PLY-Z	34
POLYP GRABS FOR CHOPPED TIMBER PLY-W	36

DEMOLITION,
RECYCLING,
MATERIAL
HANDLING



HANDLING
LOOSE MATERIALS
SAND, MUD



FORESTRY,
TREE CARE,
PRUNING
AND FELLING

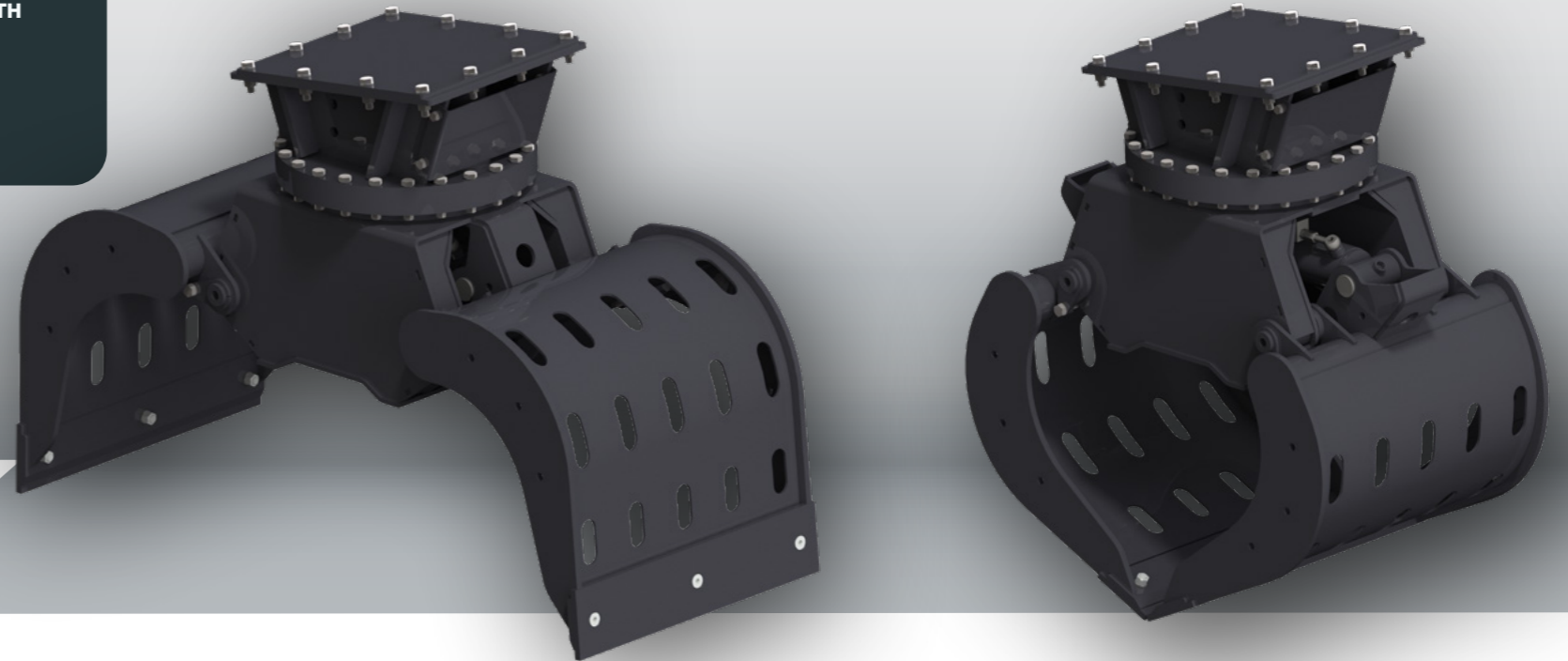
SCRAP METAL,
RECYCLING,
WOOD



COMPATIBLE WITH



EXCAVATORS

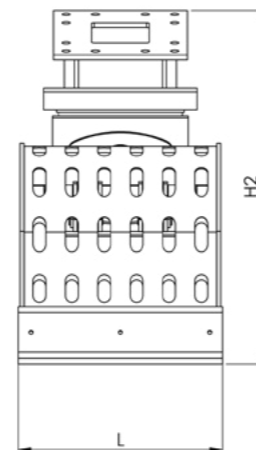
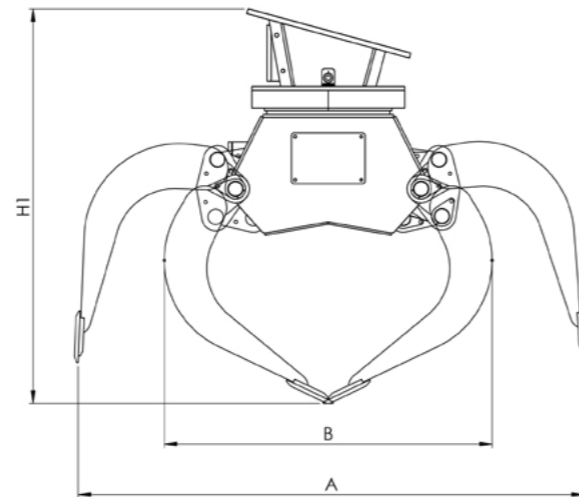



SORTING GRABS SG

GRABS FOR DEMOLITION, RECYCLING, SORTING AND HANDLING MATERIAL

SLEW RING ROTATION INCLUDED

- The wide range of sorting grapples is suitable for excavators of all sizes and designed to handle different kinds of materials.
- Used mainly to sort materials such as metal scrap, plastic, paper or wood at construction sites and large recycling centers, it is a virtually indispensable accessory.
- Each SG sorting grapple includes a rotation unit consisting of a slewing ring and hydraulic motor. In addition to the included rotation, each I.C.M. sorting grapple includes an inclined flange for connection to the excavator.
- These grapples can also be used for demolition jobs, making them a must-have on any construction site. The blades of the I.C.M. grapples are made of HARDOX, a wear-resistant steel of the highest quality.
- Thanks to their sturdy body, I.C.M. sorting grapples are able to tackle heavy-duty tasks whenever required.
- A wide range of supplemental accessories multiply the capabilities of the grapples themselves.



 EXCAVATORS	TON	1 - 3	3 - 6	9 - 15	19 - 23
MODEL		SG 28 R	SG 65 R	SG 150	SG 230
CLAMPING FORCE	daN	1000	2300	2600	5200
WEIGHT	kg	145	244	485	1050
MAX PRESSURE	bar	300	300	300	300
A	mm	800	1200	1600	2000
B	mm	523	765	1011	1280
L	mm	350	500	700	800
H1	mm	650	951	1193	1578
H2	mm	608	838	1032	1373
ROTATION	MAX PRESSURE	bar	250	250	250
	MAX FLOW RATE	lt/min	15	15	30

OPTIONAL



WITHOUT ROTATION



EXCAVATOR COUPLING



TEETH



SIDE WALLS



SIDE WALLS W/ SERRATIONS



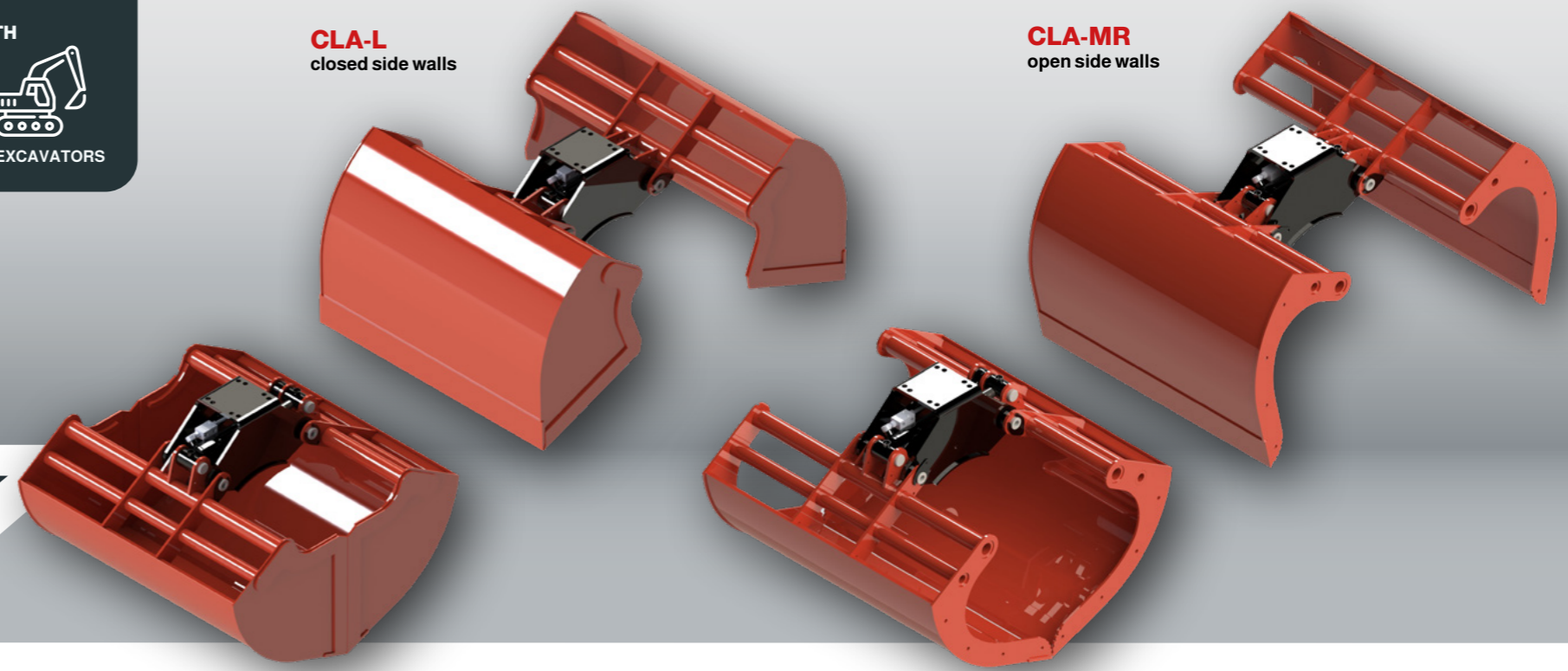
COMPATIBLE WITH




TRUCK CRANES EXCAVATORS

CLA-L
closed side walls

CLA-MR
open side walls



CLAMSHELL BUCKETS

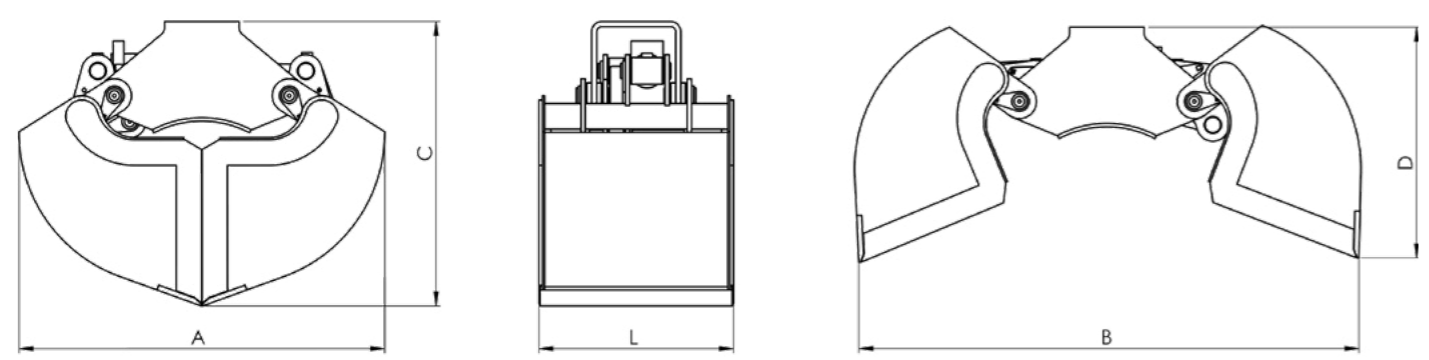
CLA-L · CLA-MR

HANDLING OF SAND AND LOOSE MATERIALS

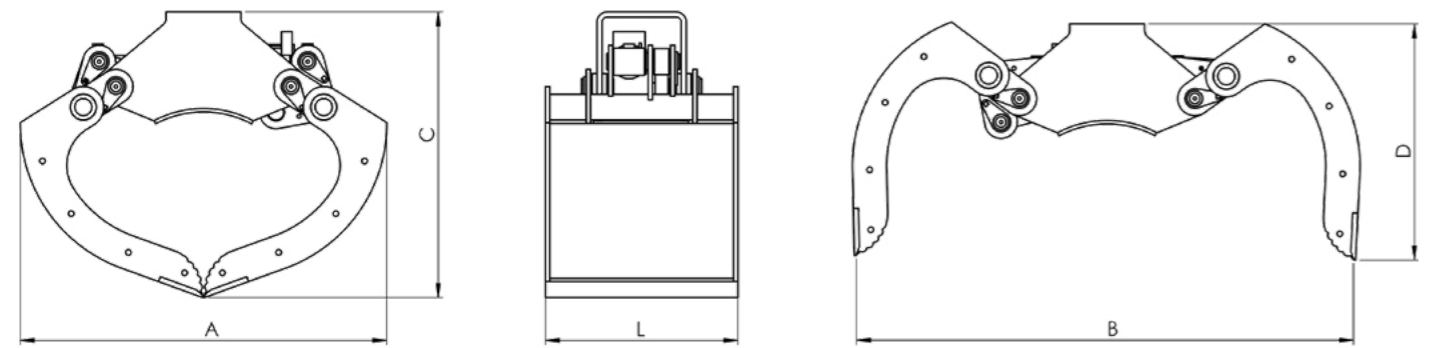
LIGHT SERIES

- I.C.M.'s wide range of clamshell buckets includes the right tool for any use and every carrier machine.
- The wide range meets your handling needs with capacities of up to 400lt.
- All pins are fitted with self-lubricating bronze bushings.
- All I.C.M. clamshell buckets are equipped with blades and counter-blades made of high-quality wear-resistant steels.

CLA-L



CLA-MR



EXCAVATORS	TON	1 - 2				2 - 3,5				3,5 - 5	
MODEL		CLA-L 50	CLA-MR 50	CLA-L 125	CLA-MR 125	CLA-L 205	CLA-MR 205	CLA-L 320	CLA-MR 320	CLA-L 400	CLA-MR 400
SIDE WALLS		CLOSED	OPEN	CLOSED	OPEN	CLOSED	OPEN	CLOSED	OPEN	CLOSED	OPEN
CAPACITY (MAX LOAD)	lt (kg)	50 (100)	50 (100)	125 (250)	125 (250)	205 (410)	205 (410)	320 (640)	320 (640)	400 (800)	400 (800)
WEIGHT	kg	60	55	120	105	145	135	185	160	210	185
CLAMPING FORCE	daN	380	380	1050	1050	1050	1050	880	880	880	880
MAX PRESSURE	bar	200	200	200	200	200	200	200	200	200	200
A	mm	626	626	840	840	840	840	1040	1040	1040	1040
B	mm	894	894	1200	1200	1200	1200	1430	1430	1430	1430
C	mm	492	492	660	660	660	660	780	780	780	780
D	mm	390	390	523	523	523	523	565	565	565	565
L	mm	330	330	450	450	750	750	800	800	1000	1000

OPTIONAL

HYDRAULIC ROTATOR

MODEL	3 TON	3 TON	3 TON	3 TON	3 TON	3 TON	5 TON	5 TON	5 TON	5 TON
MAX PRESSURE	bar	250	250	250	250	250	250	250	250	250
MAX FLOW RATE	lt/min	20	20	20	20	20	20	20	20	20

HYDRAULIC ROTATOR + DOUBLE SWINGING LINK

BOLT-ON SIDE WALLS - only for CLA-MR

TEETH

WELDED HOOK



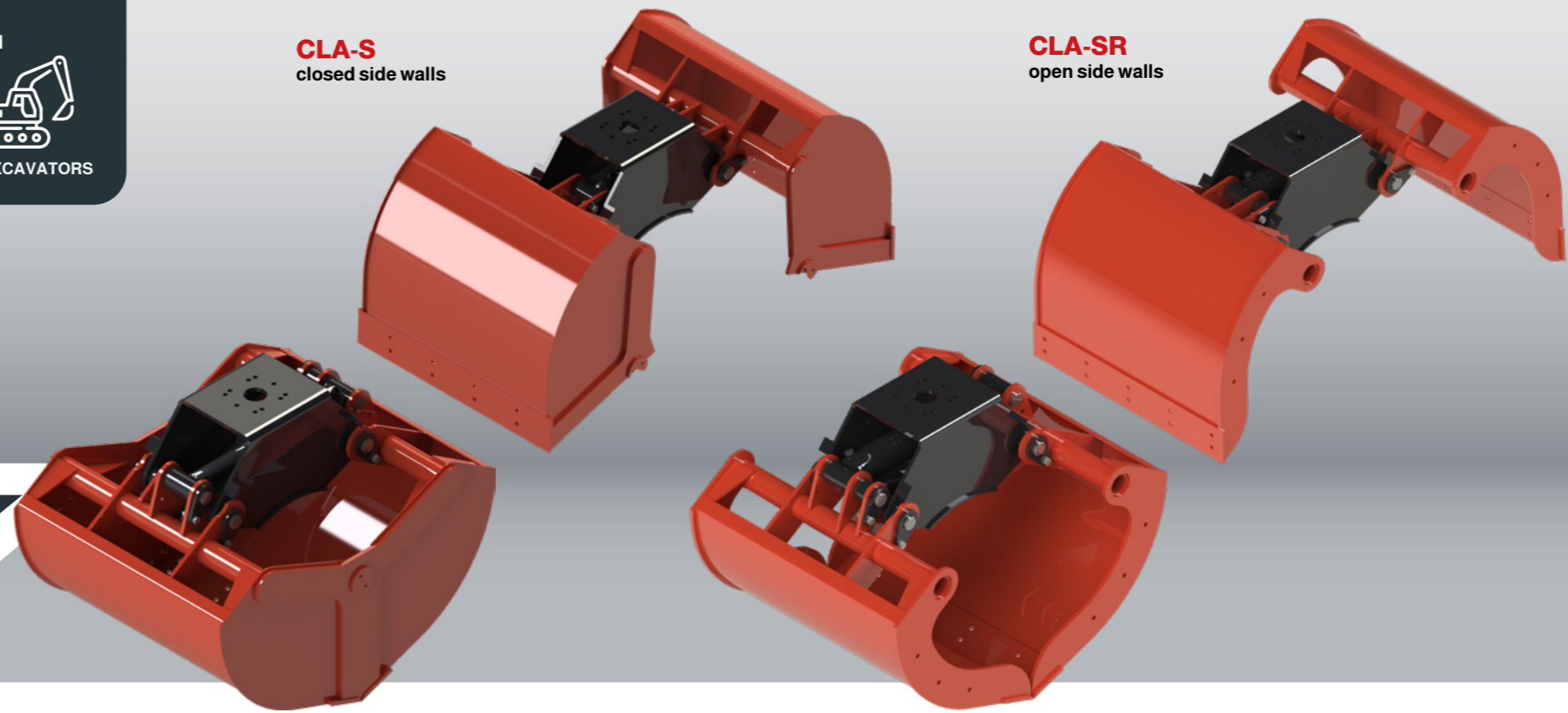
COMPATIBLE WITH



TRUCK CRANES EXCAVATORS

CLA-S
closed side walls

CLA-SR
open side walls



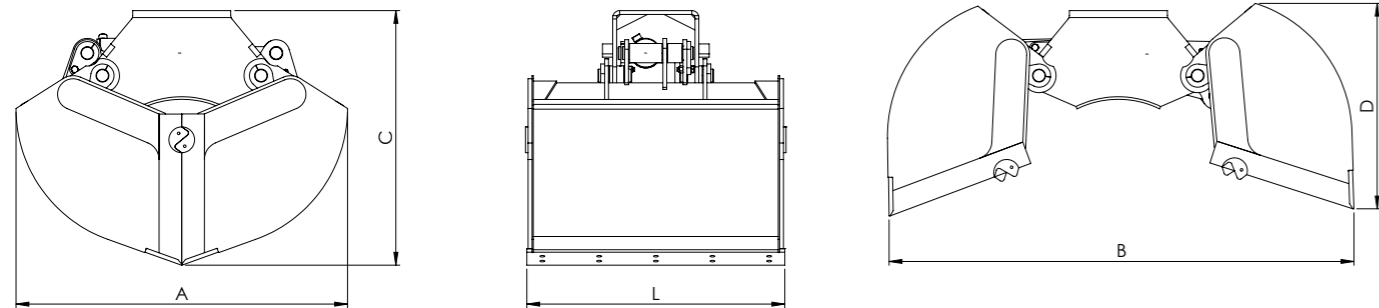
CLAMSHELL BUCKETS CLA-S · CLA-SR

HANDLING OF LOOSE MATERIAL, MUD, RUBBLE,
DIGGING

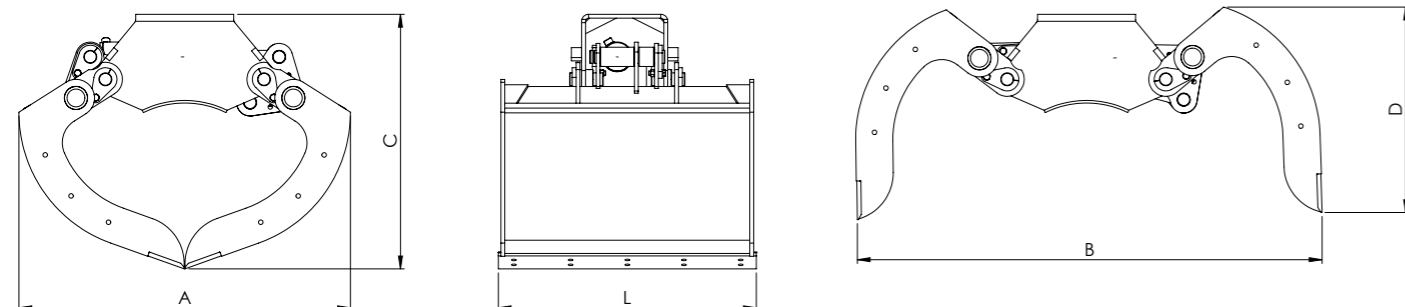
HEAVY SERIES

- The CLA-S and CLA-SR buckets are designed to withstand the toughest conditions even during excavation work. With 500lt and 650lt models, large amounts of material can be lifted to perform the heaviest jobs quickly and efficiently.
- The CLA-SR bucket differs from the similar CLA-S in the absence of side welded side walls (available as optional upon request), making these buckets much more versatile and adaptable to different types of work.
- All pin seats are fitted with self-lubricating bronze bushings.
- All I.C.M. bivalve buckets are equipped with blades and counter-blades made of high-quality wear-resistant steels.

CLA-S



CLA-SR



EXCAVATORS	TON	1 - 4		4 - 8		8 - 12		12 - 16	
		CLA-S 302	CLA-SR 302	CLA-S 402	CLA-SR 402	CLA-S 502	CLA-SR 502	CLA-S 652	CLA-SR 652
MODEL									
SIDE WALLS		CHIUSE	APERTE	CHIUSE	APERTE	CHIUSE	APERTE	CHIUSE	APERTE
CAPACITY (MAX LOAD)	lt (kg)	300 (2000)	300 (2000)	400 (2500)	400 (2500)	500 (3000)	500 (3000)	650 (3000)	650 (3000)
WEIGHT	kg	347	314	375	342	403	370	431	398
CLAMPING FORCE	daN	2500	2500	2500	2500	2500	2500	2500	2500
MAX PRESSURE	bar	300	300	300	300	300	300	300	300
A	mm	1285	1285	1285	1285	1285	1285	1285	1285
B	mm	1802	1802	1802	1802	1802	1802	1802	1802
C	mm	987	987	987	987	987	987	987	987
D	mm	814	814	814	814	814	814	814	814
L	mm	600	600	800	800	1000	1000	1200	1200

OPTIONAL

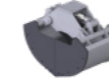


HYDRAULIC ROTATOR

MODEL	5 TON	5 TON	6 TON	6 TON	10 TON	10 TON	16 TON	16 TON
MAX PRESSURE	bar	250	250	250	250	250	250	250
MAX FLOW RATE	lt/min	20	20	20	20	20	20	20



HYDRAULIC ROTATOR + DOUBLE SWINGING LINK



BOLT-ON SIDE WALLS - only for CLA-SR models



TEETH



WELDED HOOK



COMPATIBLE WITH
 TRUCK CRANES
 EXCAVATORS

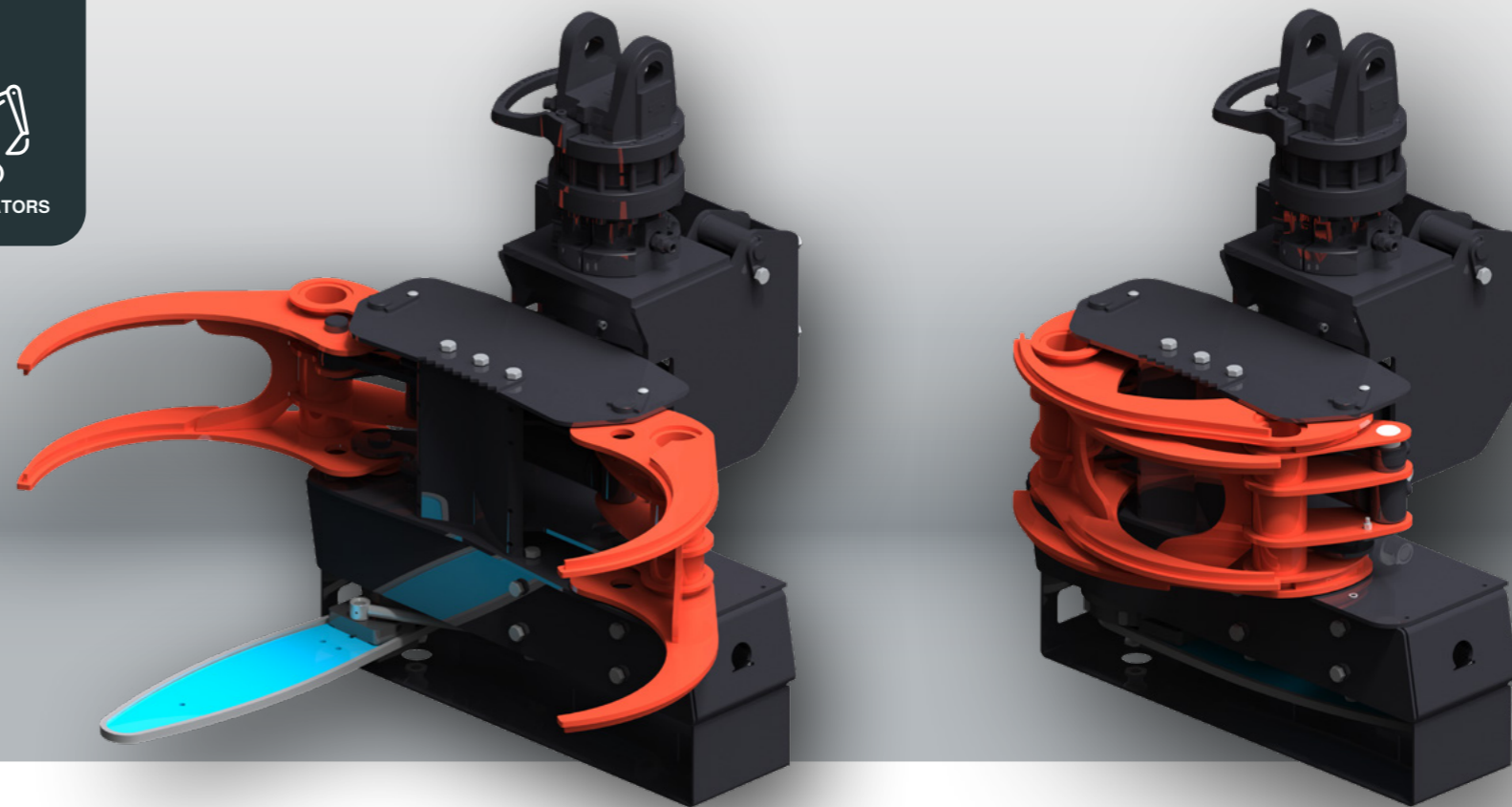
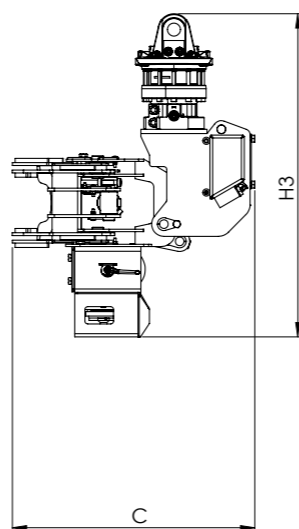
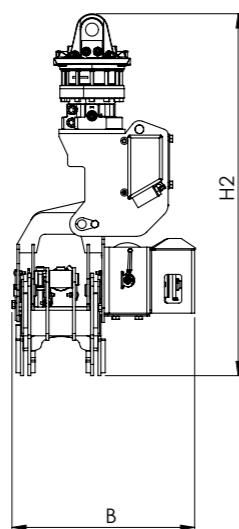
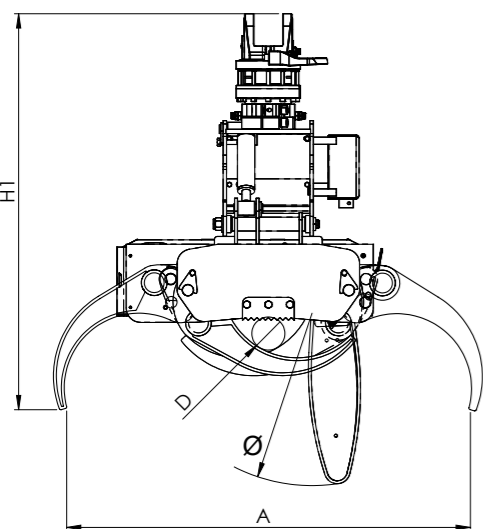


FELLING GRAB GRA-F

GRAPPLE FOR FELLING AND TREE MAINTENANCE

SWINGING INSTALLATION

- Weight optimized for use on truck cranes and forestry loaders
- Sequential hydraulic system - only two circuits needed
- Components manufactured in Sweden
- Fully adjustable tilt and cut settings
- Without electronics
- Hydraulic rotator included



EXCAVATORS		8-12	
MODEL		GRA-F 500	
WEIGHT (incl. rotator)	kg	348	
CLAMPING FORCE	daN	1275	
AREA	m ²	0,22	
REQ. FLOW RATE	lt/min	50-100	
MAX. PRESSURE	bar	250	
Ø - MAX CUTTING DIAMETER	mm	500	
BAR LENGTH	mm	600	
A	mm	1405	
B	mm	635	
C	mm	843	
H1	mm	1377	
H2	mm	1259	
H3	mm	1124	
HYDRAULIC ROTATOR CLASS 10 TON	MAX PRESSURE	bar	250
	MAX FLOW RATE	lt/min	25

OPTIONAL

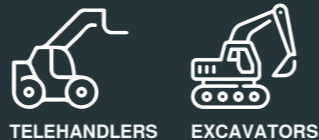


DOUBLE SWINGING LINK

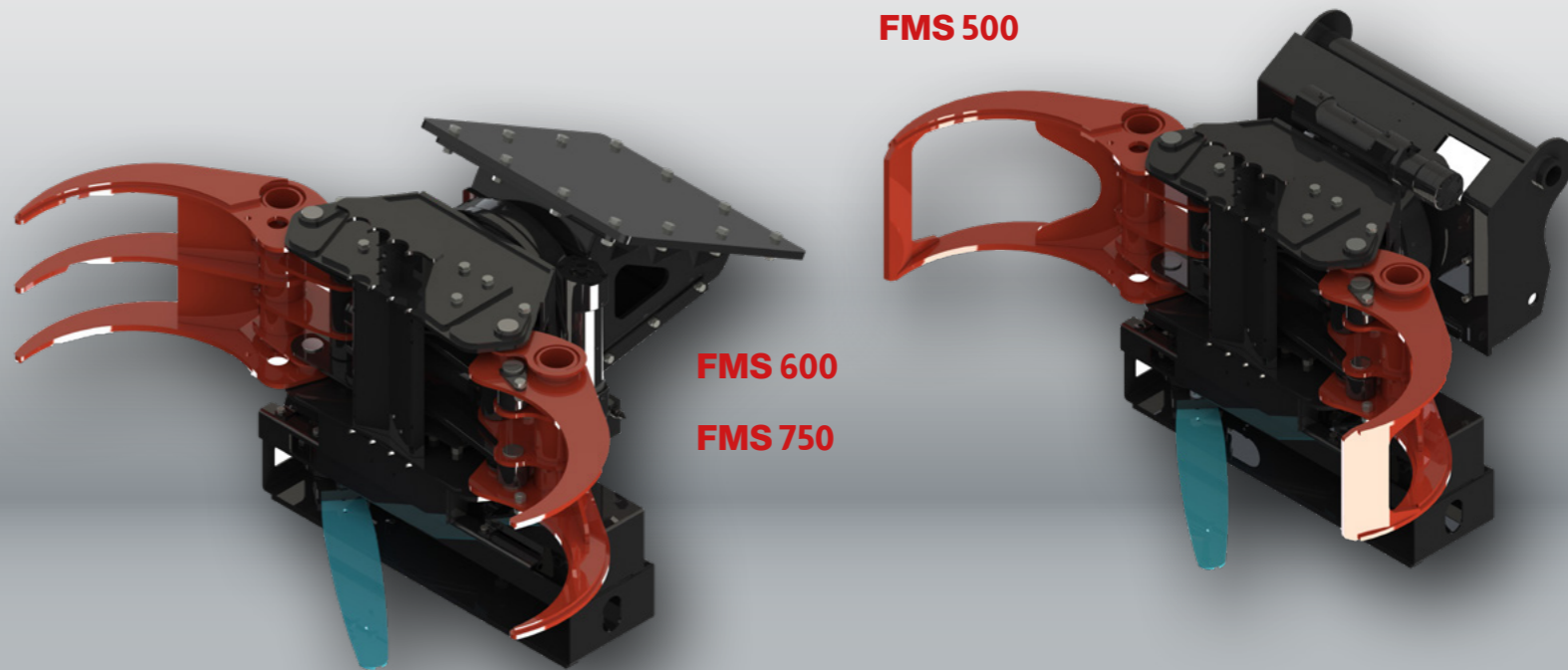
QUICK HITCH ATR 16



COMPATIBLE WITH



TELEHANDLERS EXCAVATORS

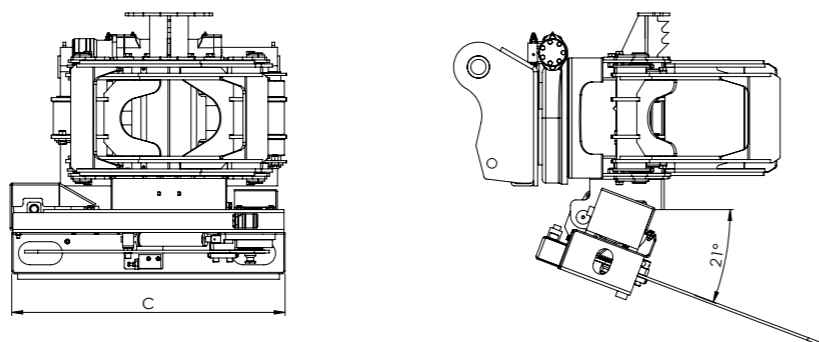
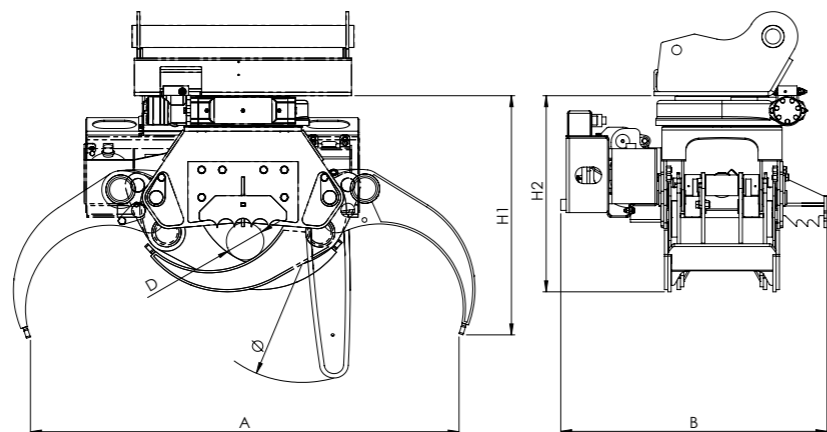




FELLING GRAB FMS

GRAPPLE FOR FELLING AND TREE MAINTENANCE

RIGID INSTALLATION

- Rigid configuration for total tilt control.
- Cutting components manufactured in Sweden.
- Reinforced structure optimized for rigid installation on excavators and telehandlers.
- “Spring-loaded” safety system to prevent the bar from getting stuck during cutting.
- Slew ring rotation system included



	EXCAVATORS	TON	10-15	13-20	-
	TELEHANDLERS	TON	-	-	13-24
MODEL			FMS 600	FMS 750	FMS 500
WEIGHT		kg	575	920	570
AREA		m ²	0,26	0,42	0,26
CLAMPING FORCE		daN	1700	2300	1700
MAX LOAD		kg	3000	5000	3000
MAX PRESSURE		bar	250	250	250
REQUIRED FLOW RATE		lt/min	60-100	100-150	40-80
Ø - MAX CUTTING DIAMETER		mm	600	750	500
ROTATION	MAX PRESSURE	bar	250	250	250
	MAX FLOW RATE	lt/min	30	30	30

OPTIONAL

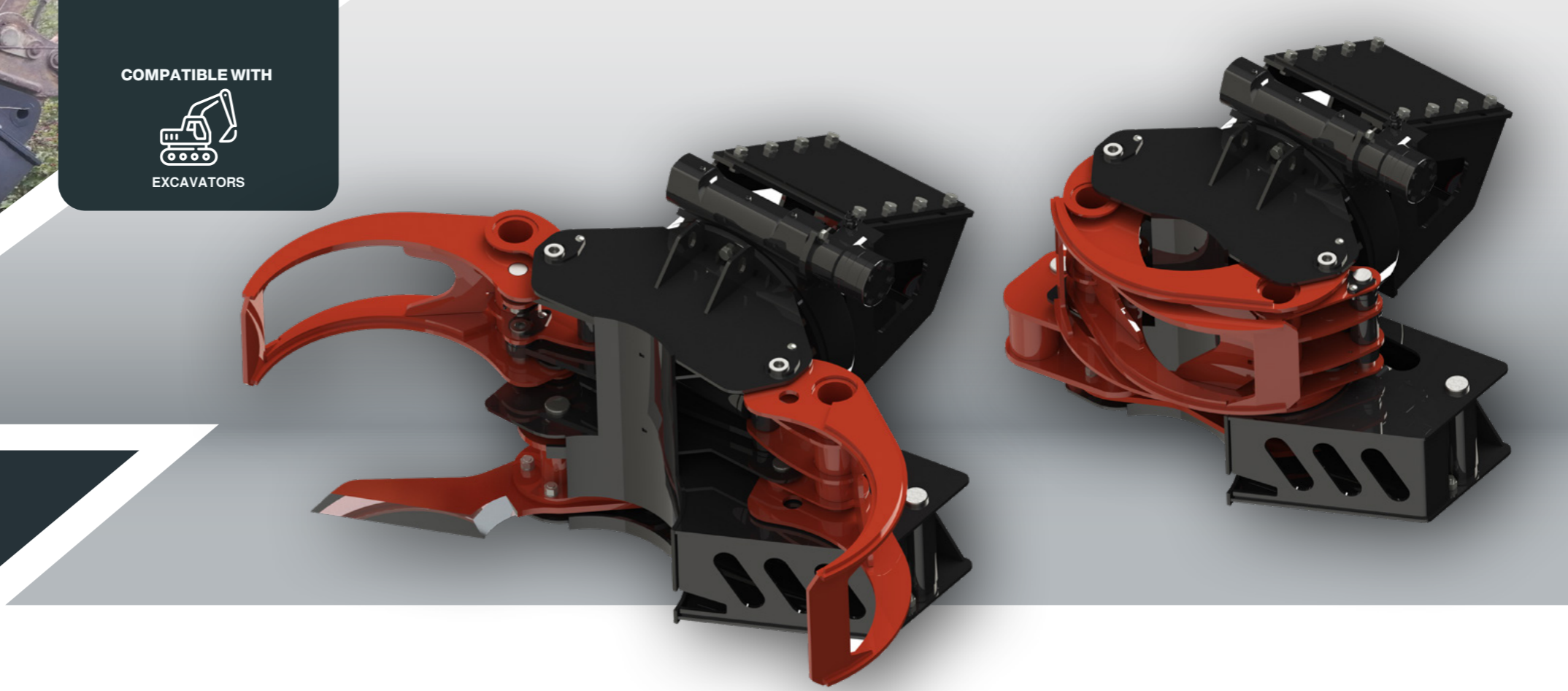


EXCAVATOR COUPLING



COMPATIBLE WITH

 EXCAVATORS

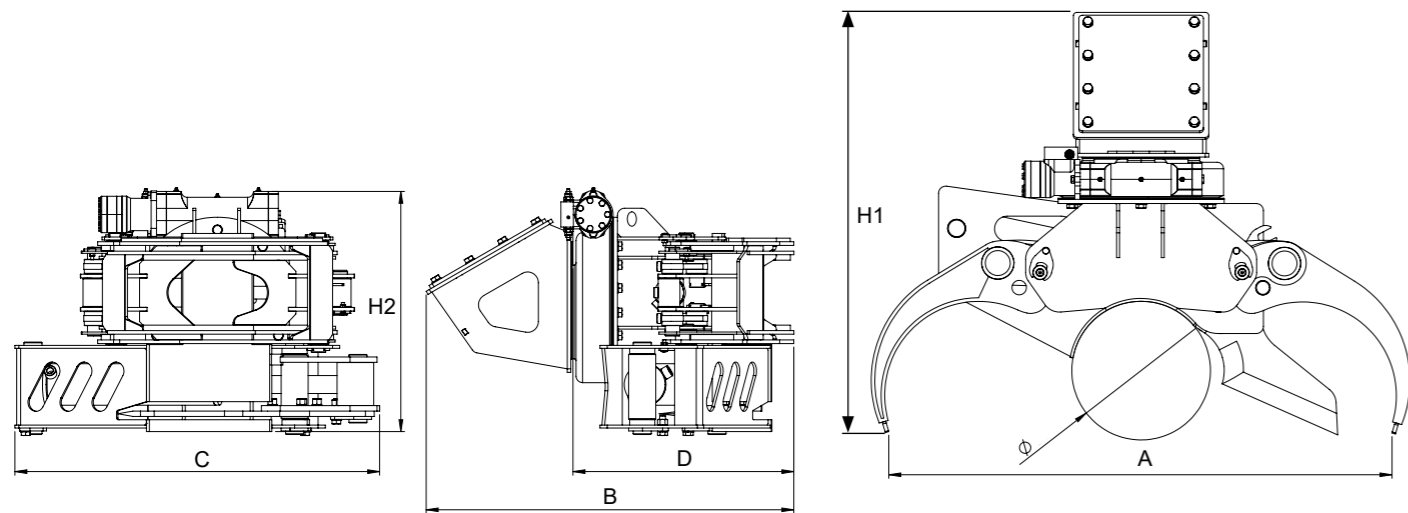



PRUNING SHEAR GRA-B

**SHEAR WITH MOVING KNIFE FOR CUTTING
 AND PRUNING TREES AND BUSHES**

MOVING BLADE

- Rigid configuration for total tilt control
- Hardox400 blade for extra durability
- Including flat plate to manufacture quick hitch
- Including rotation with slew ring



 EXCAVATORS		TON	4-10
MODEL			GRA-B 35
WEIGHT	kg		439
AREA	m ²		0,22
CLAMPING FORCE	daN		1275
MAX LOAD	kg		2500
MAX PRESSURE	bar		250
Ø - MAX CUTTING DIAMETER	mm		384
CUTTING FORCE	daN		20300
A	mm		1394
B	mm		1018
C	mm		612
D	mm		1010
H1	mm		1167
H2	mm		666
ROTATION	MAX PRESSURE	bar	250
	MAX FLOW RATE	lt/min	30

OPTIONAL



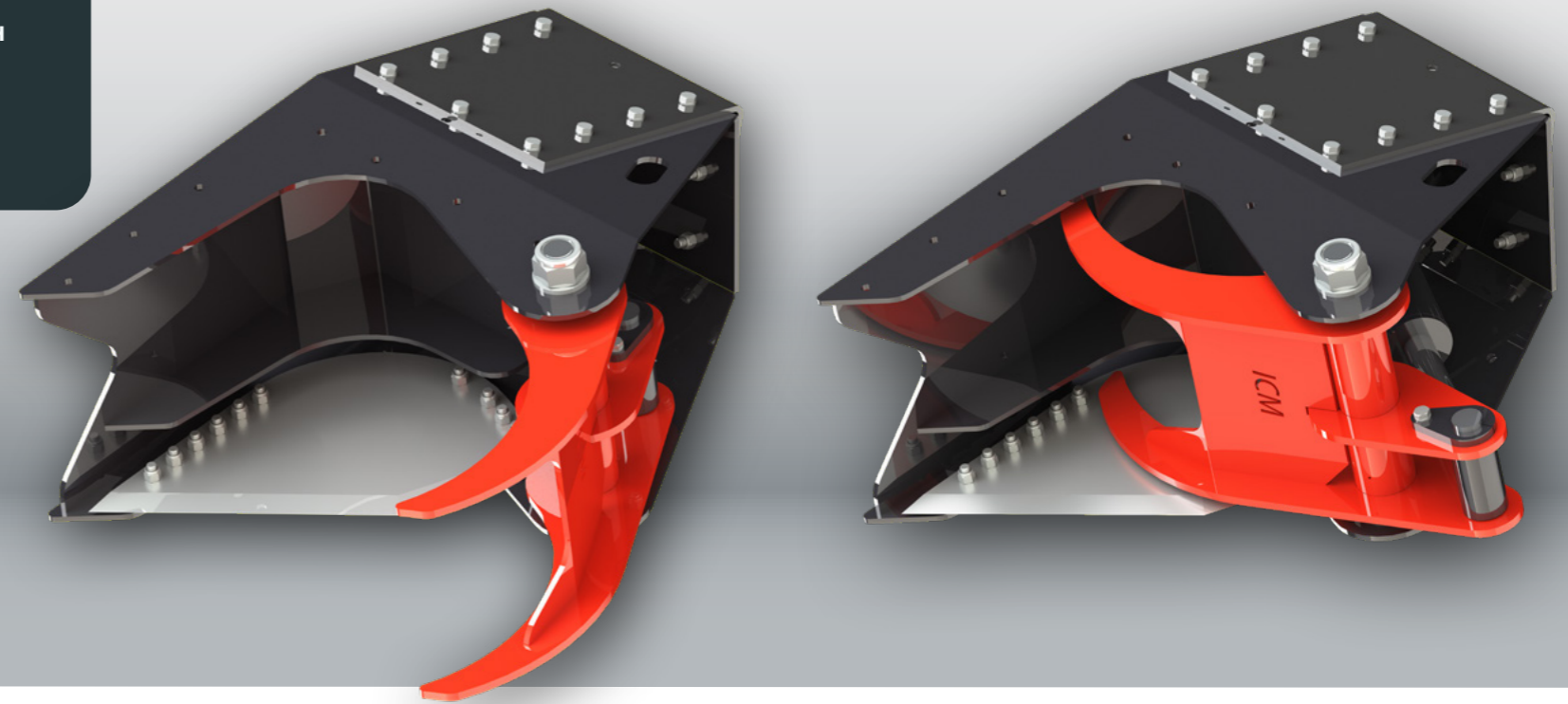
EXCAVATOR COUPLING



COMPATIBLE WITH



EXCAVATORS

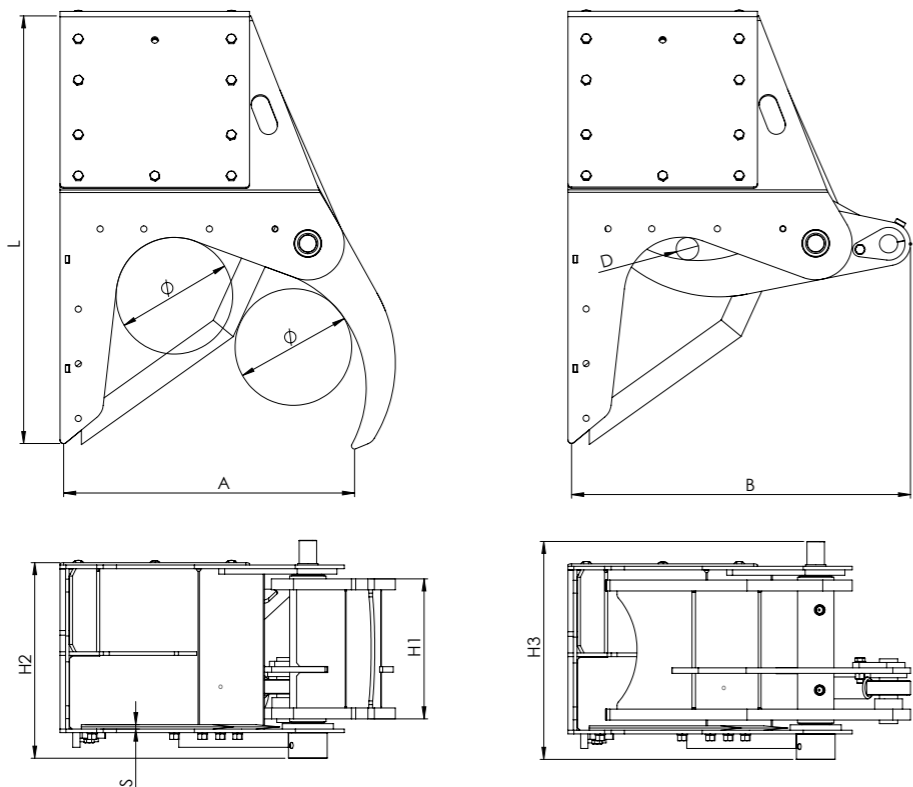



TREE SHEAR GRA-C

FOR PRECISE AND FAST CUTTING AND
REMOVAL OF LOGS AND SHRUBS

FIXED BLADE

- Developed to work at higher pressures, ensuring strength and cutting speed
- Hardox400 blade for extra durability
- Including flat plate to manufacture quick hitch
- Rotation with slew ring available as optional



 EXCAVATORS	TON	2-5	5-15	15-30
MODEL		GRA-C 20	GRA-C 30	GRA-C 45
WEIGHT	kg	114	360	980
MAX PRESSURE	bar	250	250	250
MAX FLOW RATE	lt/min	35	60	120
CUTTING FORCE	daN	8800	18250	27000
Ø - MAX CUTTING DIAMETER	mm	227	335	504
D - MINIMUM DIAMETER	mm	13	33	74
A	mm	613	810	1245
B	mm	638	939	1479
L	mm	822	1186	1743
H1	mm	184	354	484
H2	mm	400	510	640
H3	mm	431	568	710
S - BLADE THICKNESS	mm	12	12	20

OPTIONAL




ROTATION

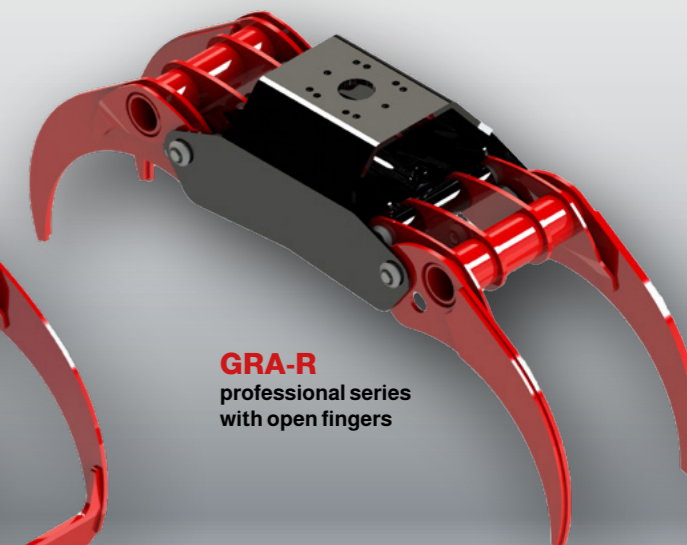
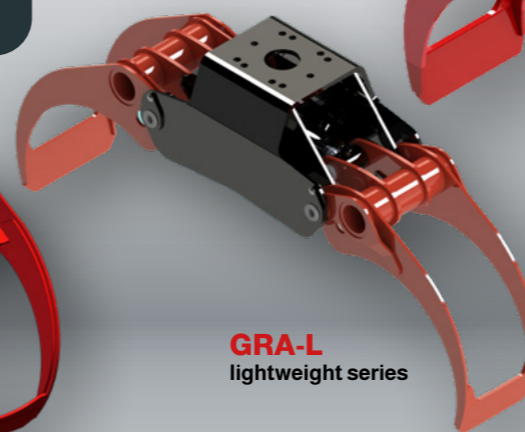
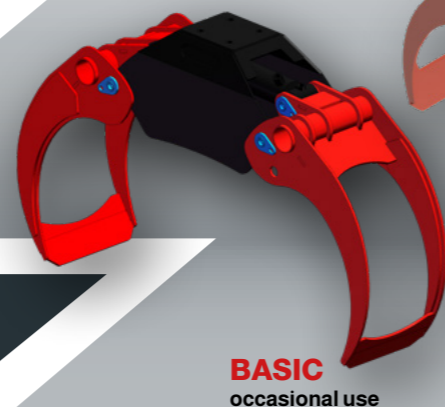
MAX PRESSURE	bar	250	250	250
MAX FLOW RATE	lt/min	30	30	30



EXCAVATOR COUPLING



COMPATIBLE WITH
 TRUCK CRANES
 EXCAVATORS



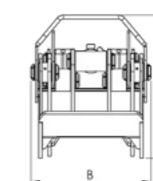
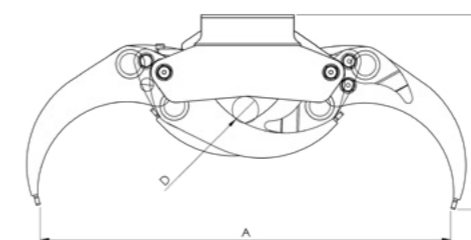
LOG GRABS BASIC · GRA

HANDLING WOOD AND TIMBER

SWINGING INSTALLATION

- Simple design to minimize weight.
- Ideal for those who want a simple tool to efficiently move logs.
- Top attachment to connect directly to the paired hydraulic rotator.
- Bronze bushings for long life (in Basic models, bushings are ptfe).

- Blades made of high-elastic S700 to reduce weight without reducing strength (in Basic models they are S355J0).
- Lightweight design to allow mounting on both cranes and excavators.
- Central cylinder to have even force distribution on the grapple



EXCAVATORS	TON	1-2			2-4		4-6		1-2		2-5		5-6		6-7		7-9		9-12		12-15		15-18
		MODEL	BASIC 105	BASIC 130	BASIC 150	GRA-L 16	GRA-L 19	GRA-L 22	GRA-R 22	GRA-M 26	GRA-R 26	GRA-M 30	GRA-M 36	GRA-R 36	GRA-M 42	GRA-R 42	GRA-M 52						
FINGERS		CLOSED	CLOSED	CLOSED	CLOSED	CLOSED	CLOSED	OPEN	CLOSED	OPEN	CLOSED	CLOSED	OPEN	CLOSED	OPEN	CLOSED							
WEIGHT	kg	72	101	156	52	92	109	121	195	215	200	295	320	328	350	370							
AREA	m ²	0,16	0,24	0,30	0,16	0,19	0,22	0,22	0,26	0,26	0,30	0,36	0,36	0,42	0,42	0,52							
MAX LOAD	kg	1000	2000	2650	1000	1800	2500	2500	3000	3000	4000	5000	5000	5000	5000	7000							
A	mm	1035	1285	1505	1100	1300	1400	1400	1550	1550	1700	1870	1870	2060	2060	2110							
B	mm	310	355	385	262	326	326	326	450	450	450	520	520	520	520	520							
H1	mm	650	728	865	582	625	648	648	760	760	805	820	820	880	880	900							
H2	mm	495	570	650	385	444	498	498	540	540	525	585	585	665	665	680							
D - MINIMUM GRIP DIAMETER	mm	75	100	100	57	77	118	118	100	100	70	145	145	170	170	160							
CLAMPING FORCE	daN	900	1100	1650	775	1060	1275	1275	1640	1640	1450	2110	2110	2405	2405	2235							
MAX PRESSURE	bar	250	250	250	250	250	250	250	250	250	250	250	250	250	250	250							
MAX FLOW RATE	lt/min	50	50	50	50	50	50	50	50	50	50	50	50	50	50	50							

OPTIONAL

HYDRAULIC ROTATOR

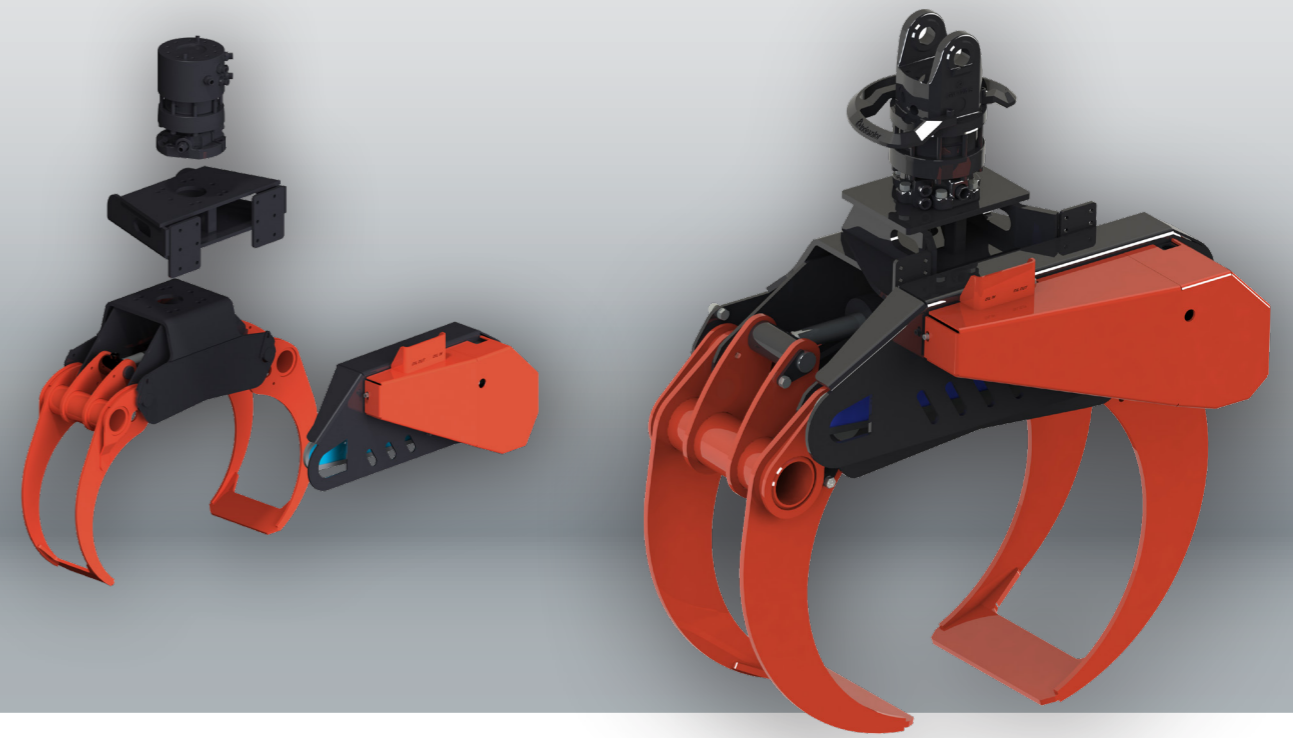
MODEL		3 TON	3 TON	5 TON	3 TON	5 TON	5 TON	5 TON	6 TON	6 TON	10 TON	10 TON	10 TON	16 TON	16 TON	16 TON
MAX PRESSURE	bar	250	250	250	250	250	250	250	250	250	250	250	250	250	250	250
MAX FLOW RATE	lt/min	20	20	20	20	20	20	20	25	25	25	25	25	35	35	35

HYDRAULIC ROTATOR + DOUBLE SWINGING LINK





COMPATIBLE WITH

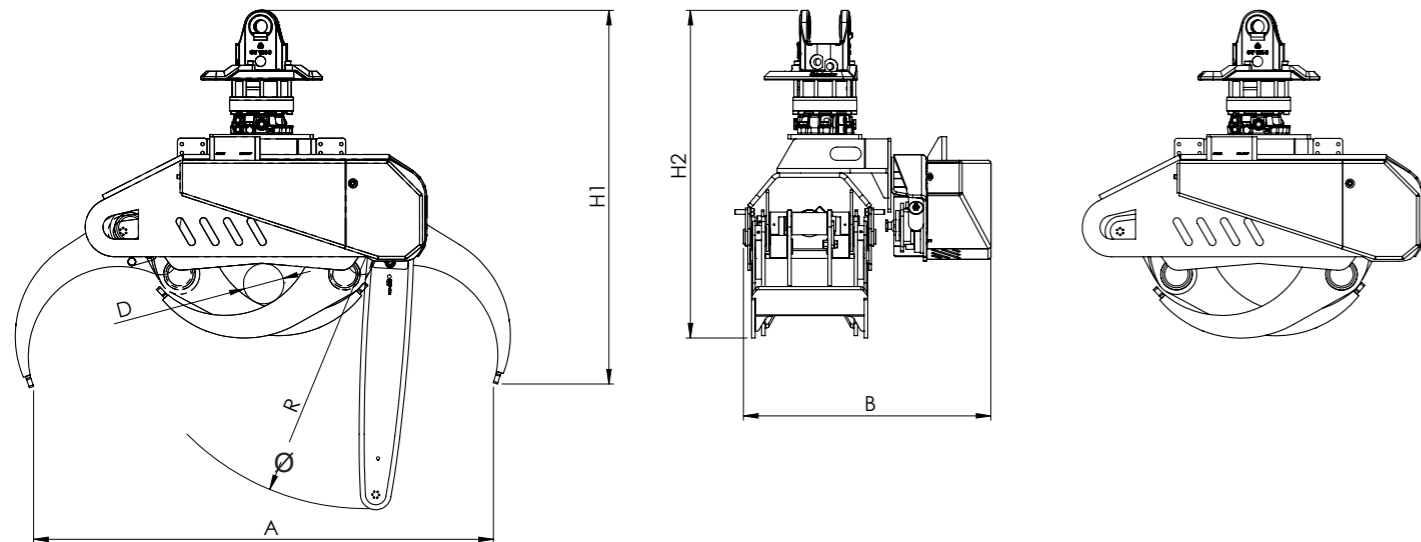


CHAINSAW GRAB MS KIT

TO CUT AND STACK LOGS QUICKLY AND SAFELY

SWINGING INSTALLATION

- Complete chainsaw kit, ready to work
- Cutting components manufactured in Sweden
- Operable with three hydraulic circuits, through 6-way rotator
- Adjustable automatic chain lubrication system



EXCAVATORS		TON	4-6	6-10	10-18
KIT MODEL			MS 400	MS 500	MS 750
INCLUDED GRAPPLE		MODEL	GRA-L 22	GRA-M 26	GRA-M 42
WEIGHT		kg	233	355	533
AREA		m ²	0,22	0,26	0,42
A		mm	1400	1550	2060
B		mm	649	711	879
H1		mm	1015	1237	1386
H2		mm	861	1040	1202
D - MINIMUM GRIP DIAMETER		mm	118	100	170
6-WAY HYDRAULIC ROTATOR	CLASS		5 TON	10 TON	10 TON
	MAX PRESSURE	bar	250	250	250
	MAX FLOW RATE	lt/min	20	25	25
OPEN/CLOSE CYLINDER	CLAMPING FORCE	daN	1275	1640	2405
	MAX PRESSURE	bar	250	250	250
CHAINSAW	MAX FLOW RATE	lt/min	50	50	50
	REQUIRED FLOW RATE	lt/min	40-60	60-100	90-150
	MAX PRESSURE	bar	250	250	250
	Ø - MAX CUTTING DIAMETER	mm	400	500	750
	CHAIN TENSIONING	type	manual	manual	manual

OPTIONAL



DOUBLE SWINGING LINK



COMPATIBLE WITH

 EXCAVATORS

LOG GRABS GRA-E · GRA-ER

HANDLING WOOD AND TIMBER

RIGID INSTALLATION

- Bronze bushings in all pins for perfect lubrication
- S700 blades for high strength and low weight
- Two spacing rods and a single cylinder in central position allow uniform push
- Slew ring rotation included

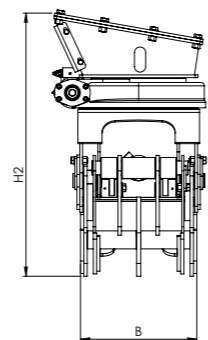
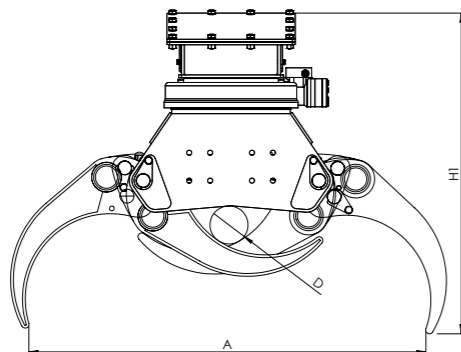


GRA-E
 intensive use
 closed fingers

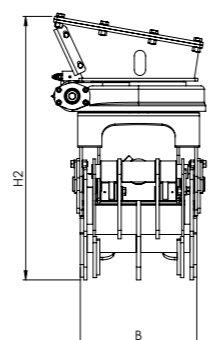
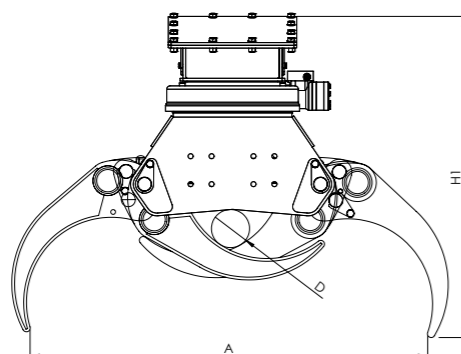


GRA-ER
 intensive use
 3+2 finger configuration

GRA-E



GRA-ER



EXCAVATORS	TON	1-2		2-5		5-12		12-20	
		GRA-E 16R	GRA-ER 16R	GRA-E 22R	GRA-ER 22R	GRA-E 26	GRA-ER 26	GRA-E 42	GRA-ER 42
MODEL		GRA-E 16R	GRA-ER 16R	GRA-E 22R	GRA-ER 22R	GRA-E 26	GRA-ER 26	GRA-E 42	GRA-ER 42
FINGERS		CLOSED	3+2	CLOSED	3+2	CLOSED	3+2	CLOSED	3+2
WEIGHT	kg	158	165	232	242	382	398	693	722
AREA	m ²	0,16	0,16	0,22	0,22	0,26	0,26	0,42	0,42
MAX LOAD	kg	1000	1000	2500	2500	3000	3000	5000	5000
A	mm	1098	1100	1394	1398	1555	1581	2040	2077
B	mm	288	288	346	343	417	417	467	467
H1	mm	797	770	914	896	1085	1046	1254	1214
H2	mm	588	590	770	770	933	943	1073	1073
D - MINIMUM GRIP DIAMETER	mm	58	58	120	120	136	136	154	154
OPEN/ CLOSE CYLINDER	CLAMPING FORCE	daN	800	800	1275	1275	1700	1700	2300
	MAX PRESSURE	bar	250	250	250	250	250	250	250
	MAX FLOW RATE	lt/min	50	50	50	50	50	50	50
ROTATION	MAX PRESSURE	bar	250	250	250	250	250	250	250
	MAX FLOW RATE	lt/min	15	15	15	15	30	30	30

OPTIONAL



WITHOUT ROTATION



EXCAVATOR COUPLING

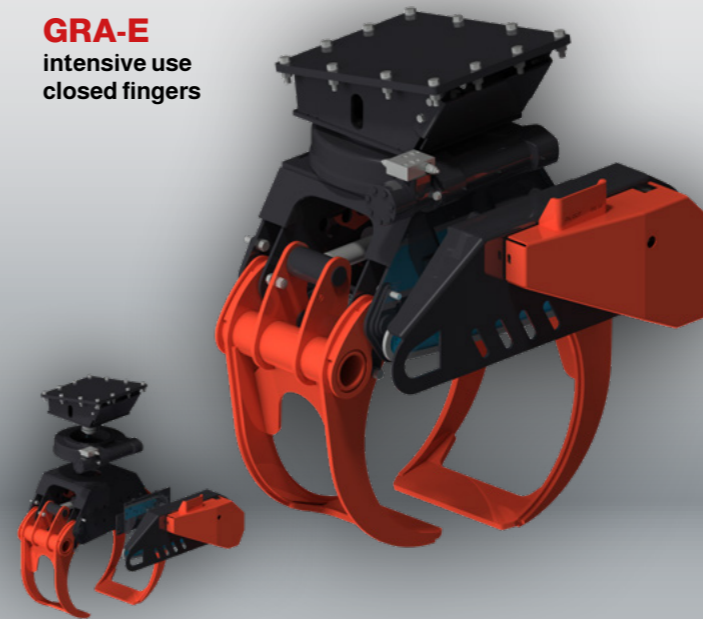


COMPATIBLE WITH

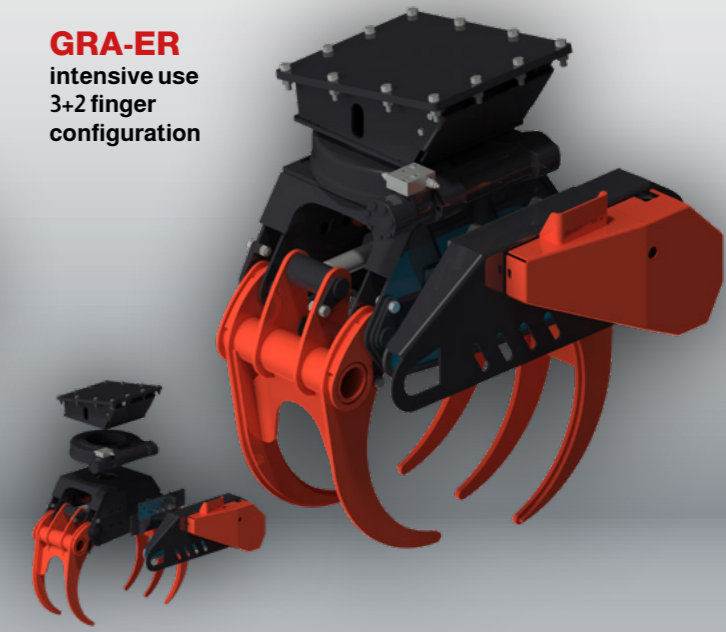


EXCAVATORS

GRA-E
intensive use
closed fingers



GRA-ER
intensive use
3+2 finger
configuration



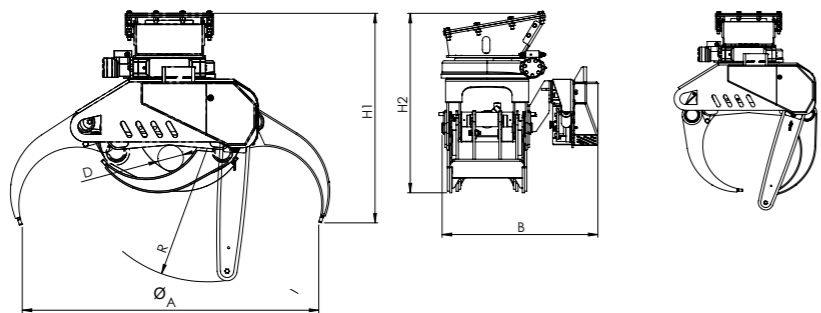
CHAINSAW GRAB MS KIT

TO CUT AND STACK LOGS QUICKLY AND SAFELY

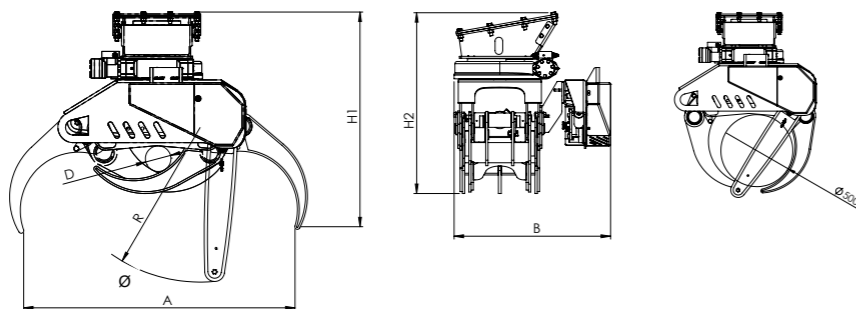
RIGID INSTALLATION

- Complete chainsaw kit, ready to work
- Cutting components manufactured in Sweden
- Operable with two hydraulic circuits thanks to its hydraulic sequential system
- Manually adjustable automatic chain lubrication system

GRA-E



GRA-ER

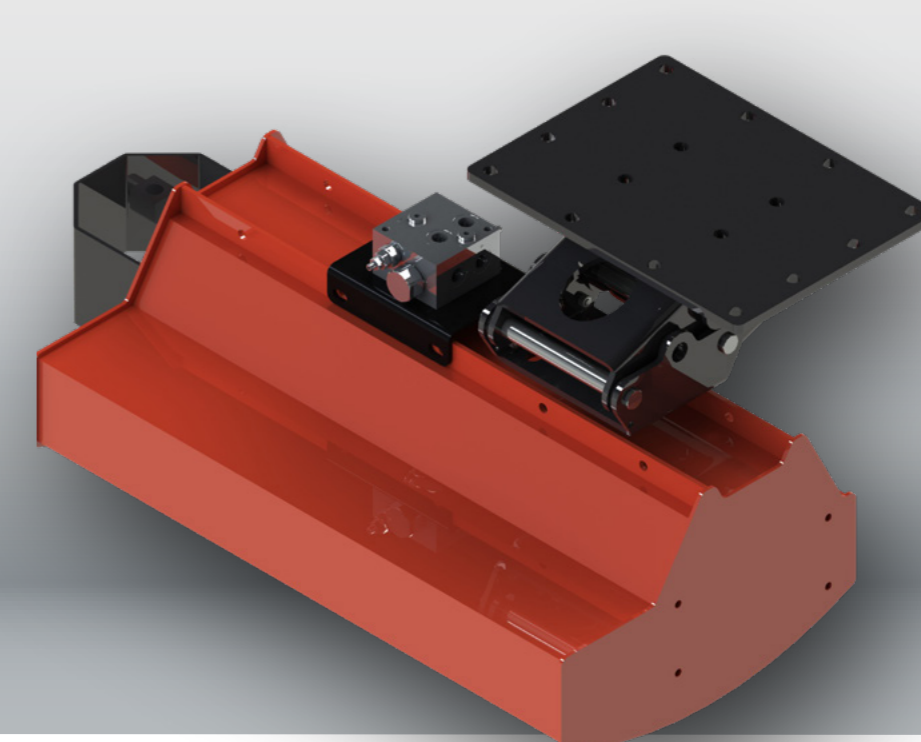


		EXCAVATORS	TON	4-6	6-10	10-18	
KIT MODEL		MS 400	MS 500	MS 750			
INCLUDED GRAPPLE	MODEL	GRA-E 22 R	GRA-ER 22 R	GRA-E 26	GRA-ER 26	GRA-E 42	GRA-ER 42
WEIGHT	kg	287	297	447	463	775	797
AREA	m ²	0,22		0,26		0,42	
A	mm	1394	1398	1555	1581	2040	2077
B	mm	686		817		1056	
H1	mm	914	896	1085	1046	1254	1214
H2	mm	770	770	933	943	1073	1073
D - MINIMUM GRIP DIAMETER	mm	120		136		154	
ROTATION	MAX PRESSURE	bar	250	250	250		
	MAX FLOW RATE	lt/min	15	30	30		
OPEN/ CLOSE CYLINDER	CLAMPING FORCE	daN	1275	1700	2300		
	MAX PRESSURE	bar	250	250	250		
	MAX FLOW RATE	lt/min	50	50	50		
CHAINSAW	REQ. FLOW RATE	lt/min	40-60	60-100	90-150		
	MAX PRESSURE	bar	250	250	250		
	Ø - CUT DIAMETER	mm	400	500	750		
	CHAIN TENSIONING	type	manual	manual	manual		

OPTIONAL



EXCAVATOR COUPLING

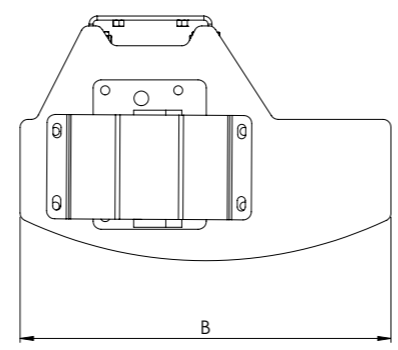
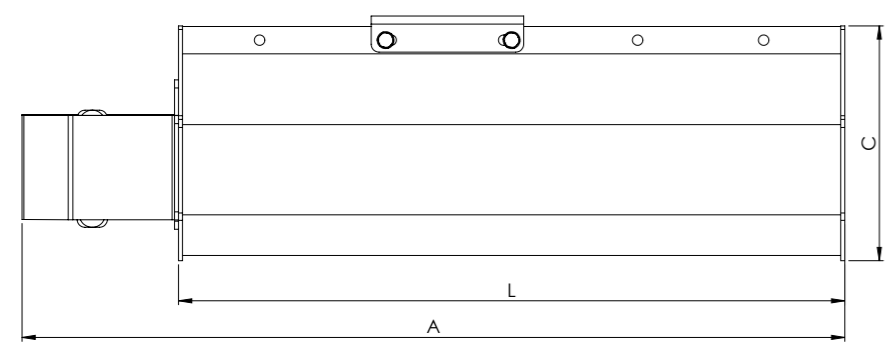


MULCHER MUL

TO CUT WEEDS, BRAMBLES AND SHRUBS

HORIZONTAL AXIS

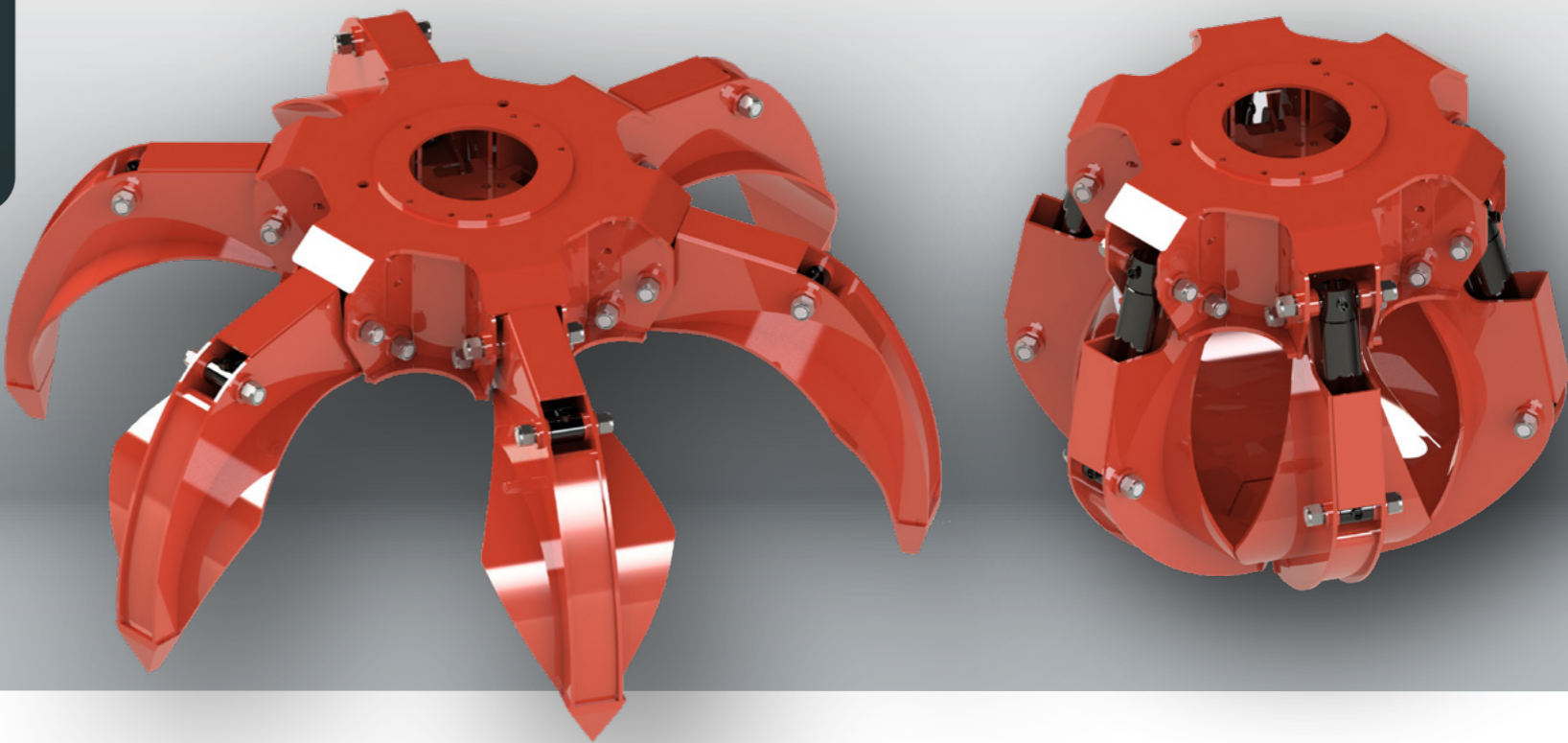
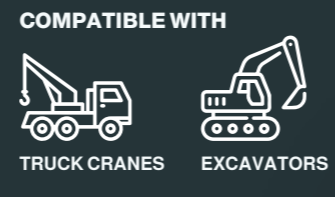
- Motor speed 3000rpm to effectively remove bushes and weeds
- Quick-attach plate included
- Easily replaceable teeth



EXCAVATORS	TON	1-3		3-6	
		MUL 308	MUL 608	MUL 308	MUL 608
MODEL					
WEIGHT	kg	86	145		
ROTOR DIAMETER	mm	110	126		
ROTOR SPEED	rpm	3000	3000		
DISPLACEMENT	cc	10	25		
MAX PRESSURE	bar	200	250		
MAX FLOW RATE	lt/min	30	75		
A	mm	1070	1520		
B	mm	462	440		
C	mm	330	450		
L (WORKING WIDTH)	mm	800	1160		

OPTIONAL

- 
SWING ARM
- 
SHOCKPROOF AND ANTI-CAVITATION VALVE
- 
EXCAVATOR COUPLING

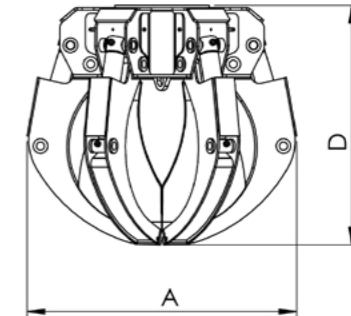
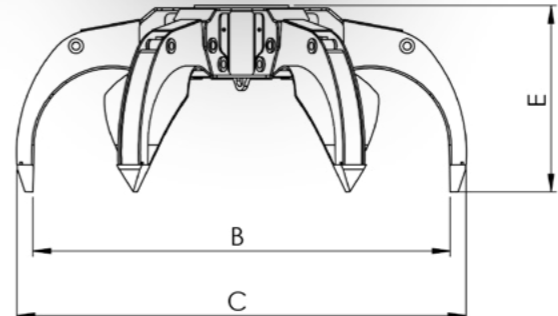


POLYP GRABS PLY

MATERIAL HANDLING, SCRAP METAL AND RECYCLING

PROFESSIONAL

- PLY polyp grapples can be used in a number of sectors, such as recycling, green maintenance, waste collection and disposal, scrap metal handling.
- The design of the ICM manifold block, which is integrated inside the head of the grabs, prevents oil leaks due to breaks or cracks in traditional manifolds, thus limiting the risks of downtime, which always result in wasted time and money.
- The head structure makes it easy to mount the rotator in a protected position, which is also useful for keeping it safe from accidental impacts, while the HARDOX tips ensure good penetration into the material and a long operating life.



EXCAVATORS	TON	1 - 4		4 - 6		6 - 8		8 - 10			10 - 13			13 - 15	
		MODEL	PLY 100/4	PLY 130/4	PLY 130/5	PLY 180/4	PLY 210/5	PLY 270/4	PLY 270/5	PLY 270/6	PLY 320/4	PLY 320/5	PLY 320/6	PLY 400/4	PLY 400/5
CAPACITY (MAX LOAD)	lt (kg)	100 (1000)	130 (1500)	130 (1500)	180 (2000)	210 (2000)	270 (2500)	270 (2500)	270 (2500)	320 (3000)	320 (3000)	320 (3000)	400 (3500)	400 (3500)	400 (3500)
NUMBER OF FINGERS		4	4	5	4	5	4	5	6	4	5	6	4	5	6
WEIGHT	kg	95	115	130	235	275	310	345	385	385	405	485	490	525	595
CLAMPING FORCE	daN	835	640	640	1315	1315	1185	1185	1185	1620	1620	1620	1325	1325	1325
MAX PRESSURE	kg	250	250	250	300	300	300	300	300	300	300	300	300	300	300
A	mm	735	760	760	965	965	1000	1000	1000	1070	1070	1070	1120	1120	1120
B	mm	1060	1270	1270	1370	1370	1550	1550	1550	1655	1655	1655	1900	1900	1900
C	mm	1180	1345	1345	1520	1520	1670	1670	1670	1780	1780	1780	2000	2000	2000
D	mm	600	725	725	800	800	900	900	900	900	900	900	1000	1000	1000
E	mm	435	481	481	660	660	700	700	700	720	720	720	760	760	760

OPTIONAL



HYDRAULIC ROTATOR

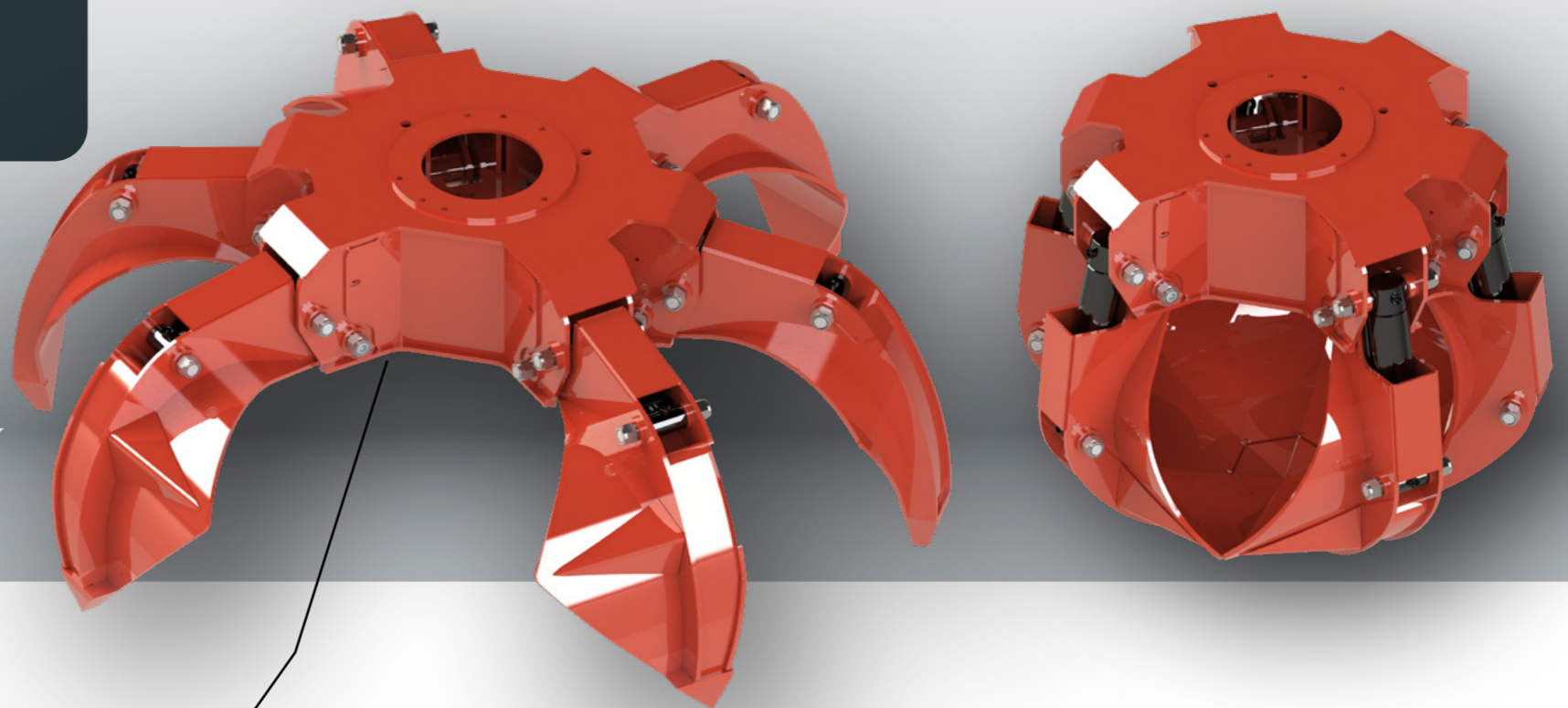
MODEL		3 TON	3 TON	3 TON	5 TON	5 TON	6 TON	6 TON	6 TON	10 TON	10 TON	10 TON	16 TON	16 TON	16 TON
MAX PRESSURE	bar	250	250	250	250	250	250	250	250	250	250	250	250	250	250
MAX FLOW RATE	lt/min	20	20	20	20	20	25	25	25	25	25	25	35	35	35

HYDRAULIC ROTATOR + DOUBLE SWINGING LINK



COMPATIBLE WITH

 TRUCK CRANES

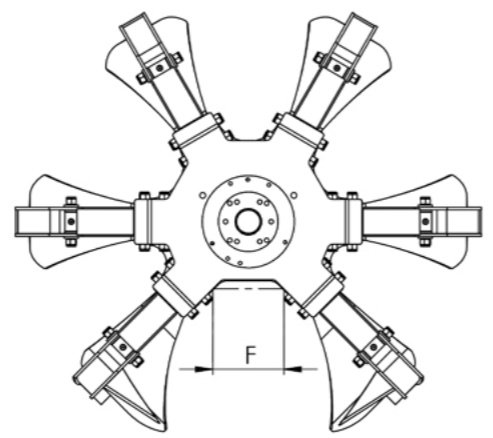
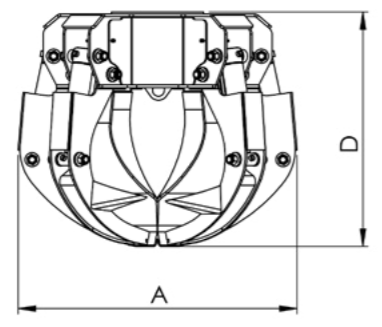
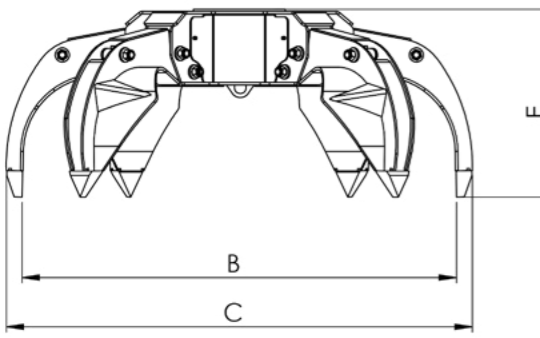
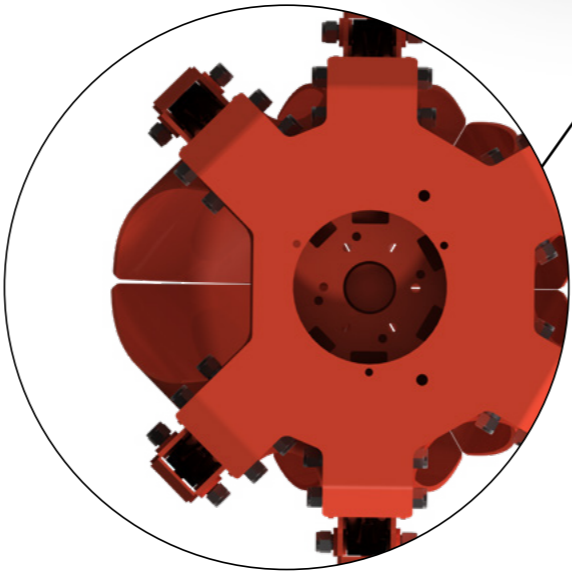


POLYP GRABS PLY-Z

**MATERIAL HANDLING, SCRAP METAL AND
 RECYCLING**

FOR Z-FOLDING CRANES

- PLY-Z series polyp grabs are specifically designed to be mounted on cranes and Z-folding loaders so that they remain in shape with the truck and thus do not exceed the maximum allowable width of the vehicles.
- Their special geometry includes a shoulder that is wider than the others, to easily accommodate the boom of the crane when the grab is not in use.
- The shape of the fingers is different from standard polyps, and is designed to allow optimized gripping of the material despite the uneven spacing between the polyp fingers.
- The protected position for the rotator, manifold block, and other features are carried over from the PLY series.



CRANES

MODEL	PLY-Z 320/6	
CAPACITY (MAX LOAD)	lt (kg)	320 (3000)
NUMBER OF FINGERS		6
WEIGHT	kg	420
CLAMPING FORCE	daN	1620
MAX PRESSURE	kg	300
A	mm	1070
B	mm	1655
C	mm	1780
D	mm	900
E	mm	720
F	mm	250

OPTIONAL



HYDRAULIC ROTATOR

MODEL	10 TON	
MAX PRESSURE	bar	250
MAX FLOW RATE	lt/min	25

HYDRAULIC ROTATOR + DOUBLE SWINGING LINK



COMPATIBLE WITH



TRUCK CRANES



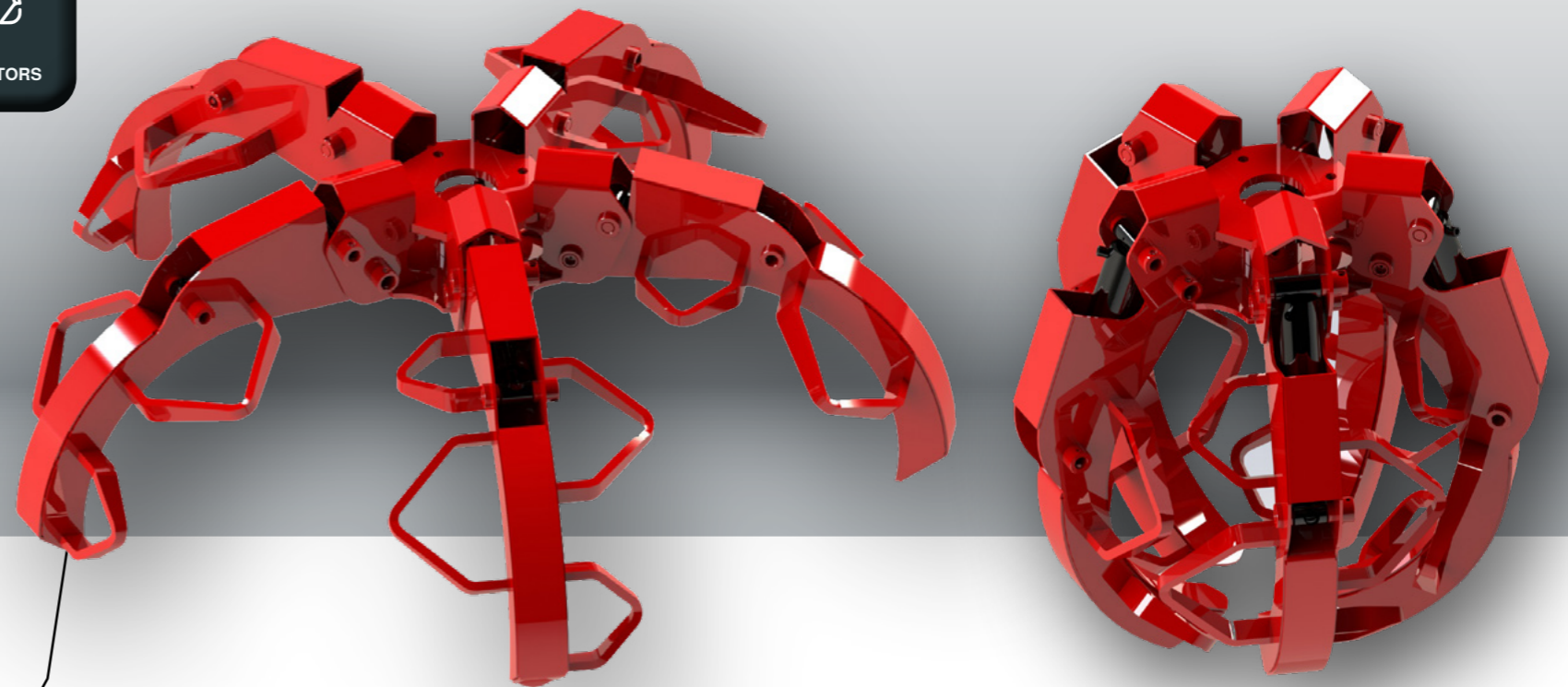
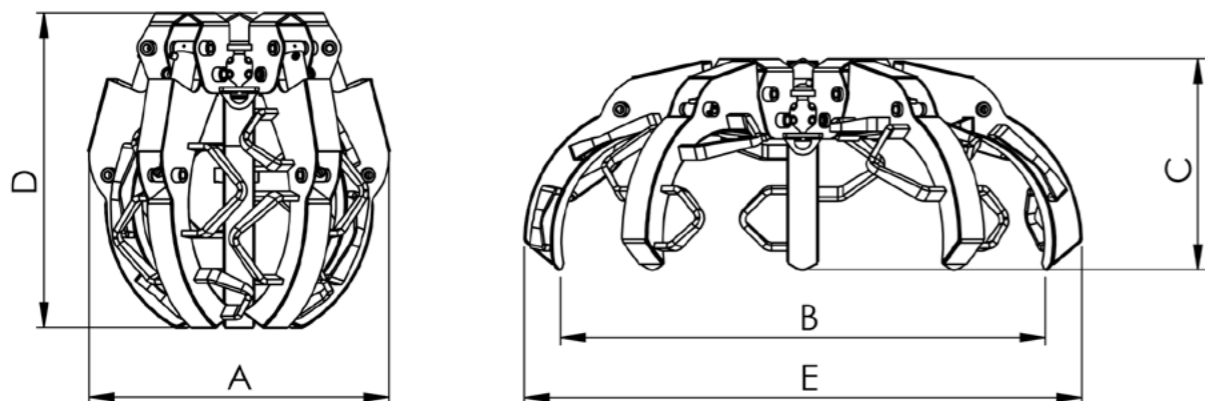
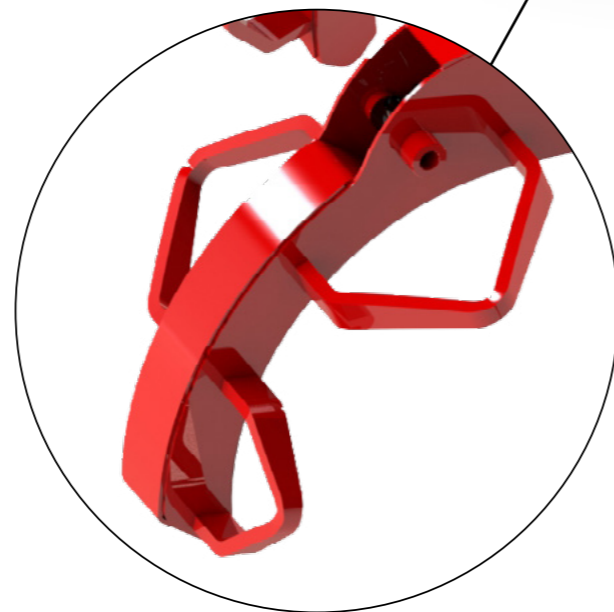
EXCAVATORS

POLYP GRABS PLY-W

SPECIFIC FOR WOOD HANDLING

FOR FIREWOOD

- PLY-W polyp grabs are optimized for handling chopped wood.
- The fingers are not equipped with closed plates but with welded staples that allow the material to better conform to the shape of the grab, thus increasing load capacity.
- The five fingers of the grab make it possible to better contain the load and avoid losing material during handling.
- The protected position for the rotator, manifold block, and other features are carried over from the PLY series.



EXCAVATORS	TON	TON		
		1 - 4	4 - 7	7-10
MODEL		PLY-W 120/5	PLY-W 290/5	PLY-W 420/5
CAPACITY (MAX LOAD)	lt (kg)	120 (1000)	290 (1500)	420 (2500)
NUMBER OF FINGERS		5	5	5
WEIGHT	kg	130	305	390
CLAMPING FORCE	daN	595	430	745
MAX PRESSURE	kg	250	250	250
A	mm	750	980	1150
B	mm	1420	1920	2300
C	mm	530	660	725
D	mm	810	1100	1280
E	mm	1570	2120	2500

OPTIONAL



HYDRAULIC ROTATOR

MODEL		3 TON	5 TON	6 TON
MAX PRESSURE	bar	250	250	250
MAX FLOW RATE	lt/min	20	20	25



HYDRAULIC ROTATOR + DOUBLE SWINGING LINK

FEATURING



I.C.M. S.R.L.

Via F.Ili Lumière, 15
48124 Fornace Zarattini (RA) - Italy
Tel. +39 0544 453357
info@icmequipments.com
www.icmequipments.com



ICMequipments



icmequipments_italy



ICMequipments



+39 335 1362635

